

VULCAN

CATALOG OF REPLACEMENT PARTS

C24GA6 & C24GA10 GAS CONVECTION STEAMERS

*C24GA6 ML-136056
C24GA10 ML-136057*

PRIOR MLS COVERED IN THIS MANUAL

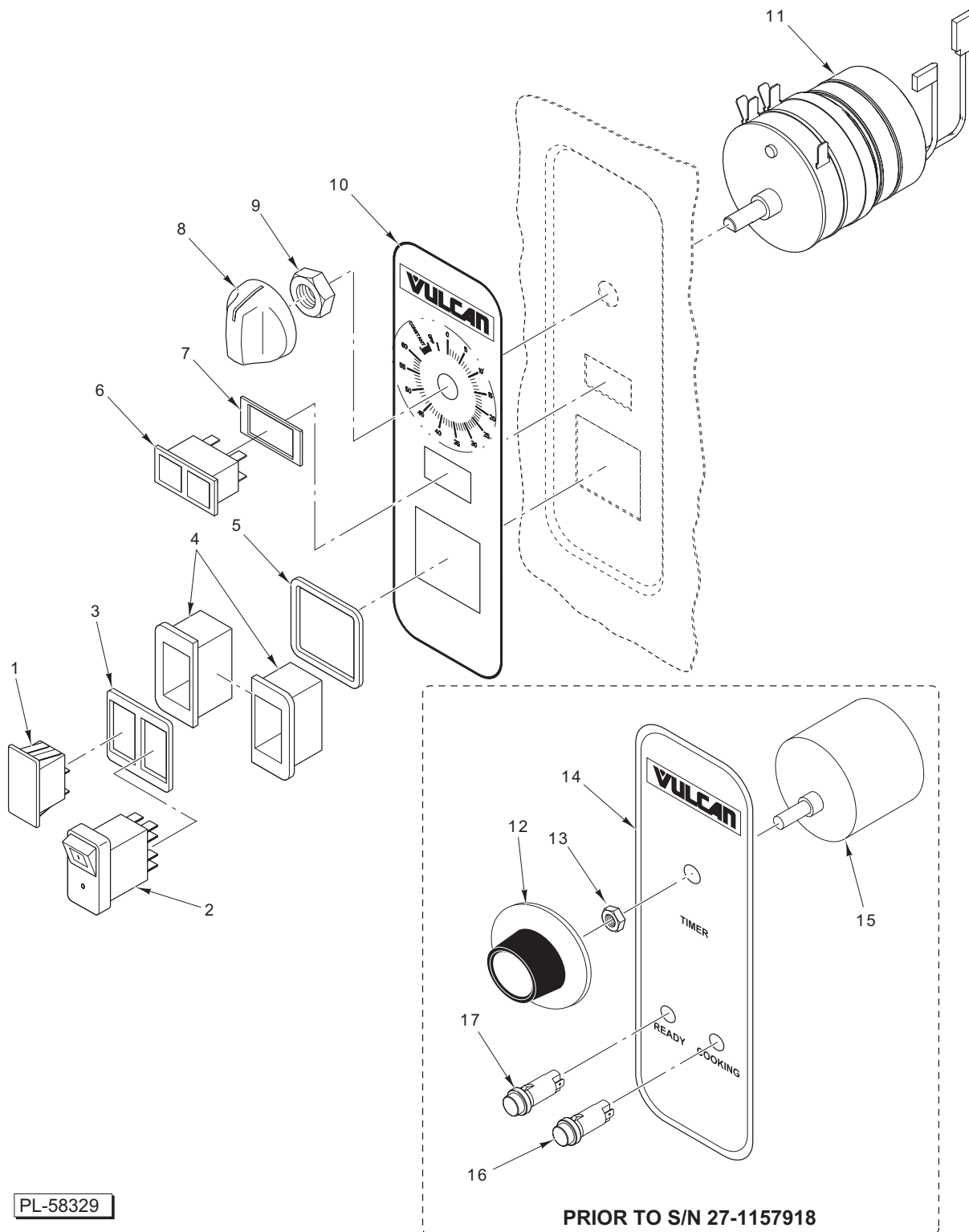
*C24GA6 ML-136021
C24GA10 ML-136022*



For additional information on Vulcan-Hart or to locate an authorized parts and service provider in your area, visit our website at www.vulcanhart.com.

TABLE OF CONTENTS

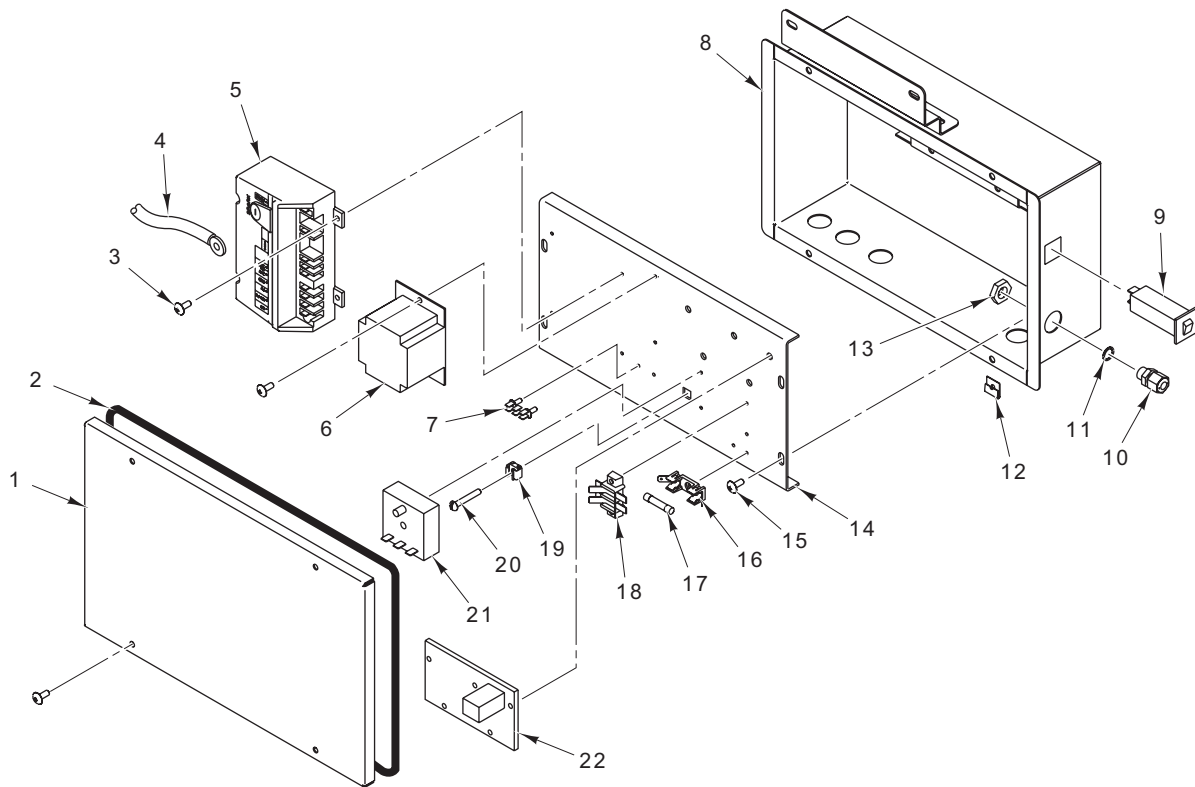
5	CONTROLS
7	ELECTRICAL COMPONENTS
9	DOOR
11	COMPARTMENT
13	PANELS
15	PLUMBING
17	DRAIN ASSEMBLY (PREVIOUS CONSTRUCTION)
19	DRAIN ASSEMBLY (CURRENT CONSTRUCTION)
21	WATER LEVEL PROBE
23	BURNER ASSEMBLY
25	GAS GENERATOR TANK ASSEMBLY
27	COMPARTMENT VACUUM BREAKER



CONTROLS

CONTROLS

ILLUS. PL-58329	PART NO.	NAME OF PART	AMT.
1	00-854330-00001	Plug – Switch Hole.....	1
2	00-855677-00001	Switch – On/Off (Lighted).....	1
3	00-855795-00001	Gasket – Switch.....	1
4	00-855794-00001	Bezel – Switch.....	2
5	00-855796-00001	Gasket – Bezel.....	1
6	00-855695-00001	Light – Indicating (125 VAC).....	1
7	00-856678-00001	Gasket – Indicator Light.....	1
8	00-856773-00001	Knob – Timer.....	1
9	00-854693-00001	Shaft – Rotary Seal.....	1
10	00-856771-00002	Overlay – Control.....	1
11	00-856621-00001	Timer – Mechanical.....	1
12	00-843781-00003	Knob – Timer (Previous Construction).....	1
13	00-854693-00001	Shaft – Rotary Seal (Previous Construction).....	1
14	00-855354-00004	Overlay – Control (Previous Construction).....	1
15	00-411690-00002	Timer (60 Min.) (Previous Construction).....	1
16	00-844367-00055	Light – Pilot Red (120 V.) (Previous Construction).....	1
17	00-840507	Light – Pilot Green (120 V.) (Previous Construction).....	1
	00-856679-00001	Light Assy. – Indicating (Incls. Items 6 & 7).....	1

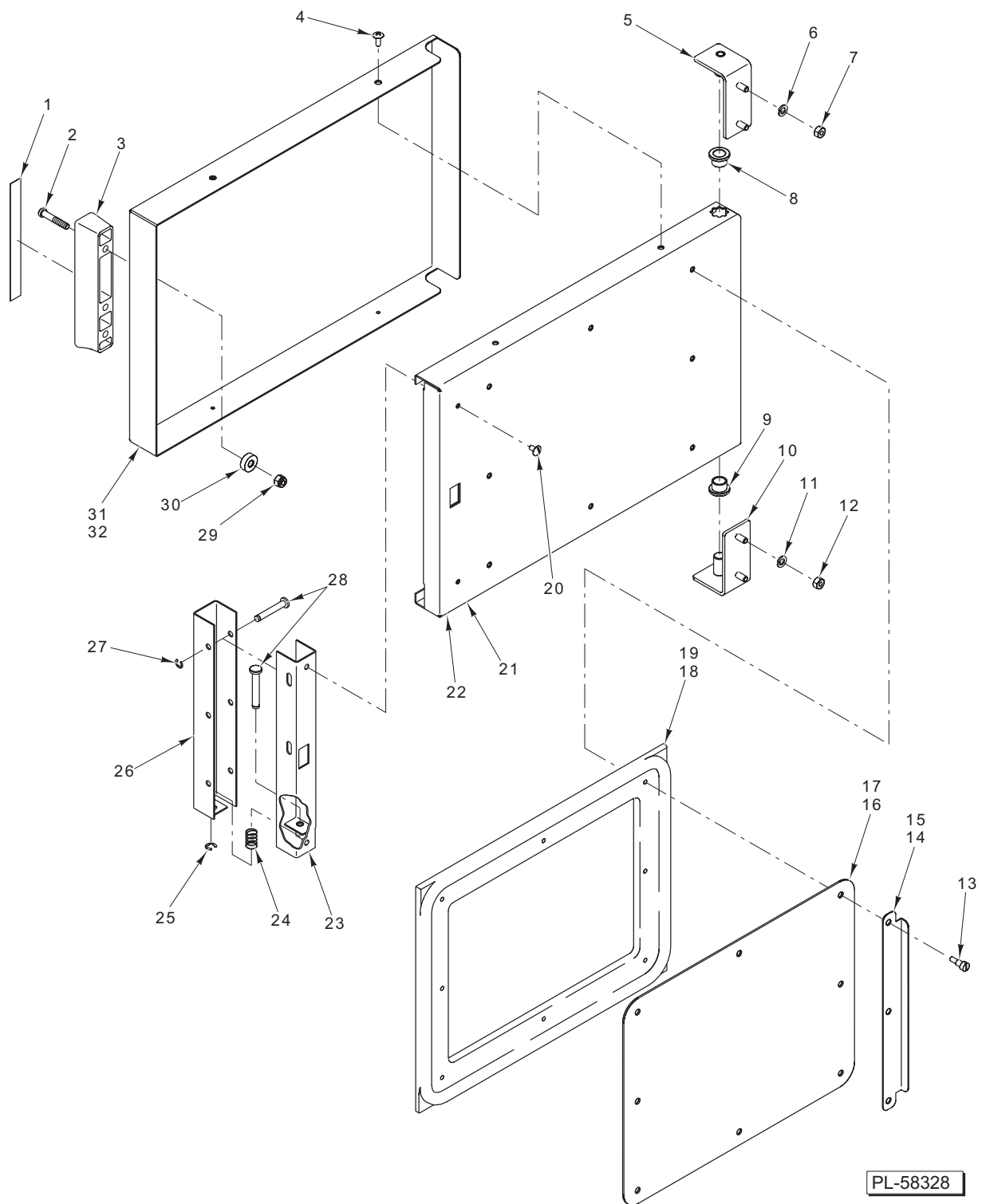


PL-58334

ELECTRICAL COMPONENTS

ELECTRICAL COMPONENTS

ILLUS.	PART NO.	NAME OF PART	AMT.
PL-58334			
1	00-855655-00001	Lid – Control Box	1
2	00-854664-00001	Gasket	1
3	SD-019-29	Self-Tapping Screw 6-20 x 1/2 Phil. Pan Hd. Type B	10
4	00-857210-00005	Ignition Cable	1
5	00-857207-00002	Module – Ignition (Incls. Item 4).....	1
6	00-411500-00012	Transformer (120 V.).....	1
7	00-419317	Terminal – Stationary Male	1
8	00-855651-00001	Box – Control	1
9	00-423987-00001	Circuit Breaker (3 Amp.) (Machines Built Prior To 3/21/06)	1
10	00-854761-00002	Relief – Strain 1/2 NPT Liquid Tight	3
11	00-854763-00002	O-Ring	3
12	00-854766-00001	Speed Nut (J-Type).....	8
13	00-854762-00002	Lock Nut 1/2 NPT	3
14	00-855656-00001	Plate – Component	1
15	SC-066-06	Mach. Screw 10-24 x 1/2 Phil. Truss Hd. (SST).....	8
16	00-856677-00001	Block – Fuse (300 V., 20 Amp.)	1
17	FE-024-94	Fuse (250 V., 4 Amp.)	1
18	00-854707-00002	Terminal – Block (2 Pole).....	1
19	NS-049-01	Nut – Panel 10-24	1
20	SC-021-96	Mach. Screw 10-24 x 1/4 Slotted Rd. Hd.....	1
21	00-855661-00001	Relay – Time Delay.....	1
22	00-844069-00001	Control – Low Water	1
	00-855650-00001	Box – Power (Incls. Items 1 thru 8 & 10 thru 22)	1
	00-419315	Cord – Power.....	1



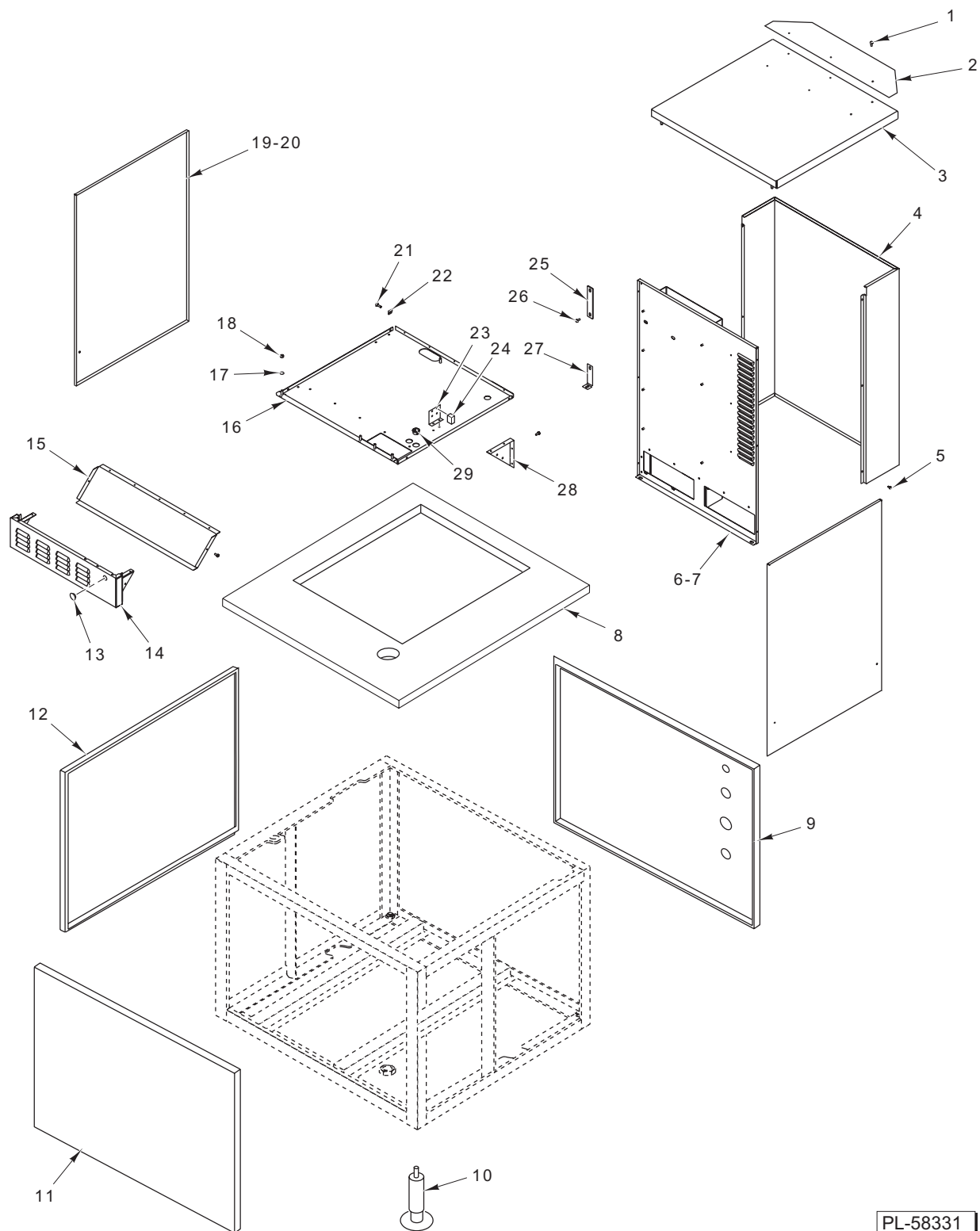
DOOR

DOOR

ILLUS. PL-58328	PART NO.	NAME OF PART	AMT.
1	00-855288-00001	Face Plate – Door Handle	1
2	SC-120-70	Cap Screw 1/4-20 x 1 5/8 Hex Socket Hd.....	2
3	00-855287-00001	Door – Handle.....	1
4	SC-066-20	Mach. Screw 10-32 x 1/2 Phil. Pan Hd.....	4
5	00-855521-00001	Hinge Assy. – Door (Top).....	1
6	WL-006-17	Lockwasher 1/4 Helical.....	2
7	NS-046-38	Nut 1/4-20 Hex (SST).....	2
8	00-817643	Bearing – Flanged	1
9	00-817643	Bearing – Flanged	1
10	00-855521-00002	Hinge Assy. – Door (Bottom).....	1
11	WL-006-17	Lockwasher 1/4 Helical.....	2
12	NS-046-38	Nut 1/4-20 Hex (SST).....	2
13	00-855597-00002	Screw – Shoulder Slotted	3
14	00-855714-00001	Gasket – Door Guard (3-Pan).....	1
15	00-855714-00002	Gasket – Door Guard (5-Pan).....	1
16	00-855285-00001	Gasket Retainer – Door (3-Pan).....	1
17	00-855285-00002	Gasket Retainer – Door (5-Pan).....	1
18	00-855286-00001	Gasket – Cabinet Door (3-Pan) (Incls. Shim Kit).....	1
19	00-855286-00002	Gasket – Cabinet Door (5-Pan) (Incls. Shim Kit).....	1
20	SC-053-05	Mach. Screw 10-24 x 3/8 Slotted Truss Hd.	2
21	00-855582-00001	Bracket Weldment – Door (3-Pan).....	1
22	00-855582-00002	Bracket Weldment – Door (5-Pan).....	1
23	00-855584-0001	Door Latch – Bracket.....	1
24	00-855298-00001	Latch Spring – Door.....	1
25	RR-006-22	Ring – Retaining (1/4 In.).....	1
26	00-855585-00001	Latch Actuator – Door.....	1
27	RR-006-22	Ring – Retaining (1/4 In.).....	3
28	00-855590-00002	Pin – Clevis 1.525 In. Lg.....	4
29	NS-048-63	Stop Nut 1/4-20 Special.....	2
30	00-855290-00001	Bearing – Door Handle	2
31	00-855580-00001	Frame – Door (3-Pan).....	1
32	00-855580-00002	Frame – Door (5-Pan).....	1

COMPARTMENT

ILLUS. PL-58330	PART NO.	NAME OF PART	AMT.
1	00-855278-00001	Compartment (3-Pan).....	1
2	00-855449-00001	Compartment (5-Pan).....	1
3	00-855337-00001	Shoulder Screw 18-8 Slotted.....	4
4	NS-049-09	Nut Assy. 10-32 Hex (SST).....	4
5	SC-021-08	Mach. Screw 6-32 x 3/8 Slotted Rd. Hd.	1
6	WL-003-09	Lockwasher #6 Helical.....	1
7	00-411499-00004	Buzzer (115 V.).....	1
8	00-851530-00004	Block – Terminal (10-Position).....	1
9	NS-046-89	Nut Assy. 6-32.....	2
10	NS-011-07	Nut 6-32 Hex (SST).....	2
11	00-855438-00001	Bracket – Terminal Block.....	1
12	SC-021-12	Mach. Screw 6-32 x 1 Slotted Rd. Hd.	1
13	00-842049	Switch – Door.....	1
14	NS-015-13	Nut 3/8-16 Hex (SST).....	1
15	00-855308-00001	Actuator Bracket – Door.....	1
16	RR-006-22	Ring – Retaining.....	2
17	00-855307-00001	Actuator Rod – Door.....	1
18	WL-006-27	Lockwasher 3/8 Helical.....	1
19	00-855586-00001	Bullet – Door.....	1
20	00-855753-00001	Cover – Drain.....	1
21	NS-011-18	Nut 10-24 Hex (SST).....	1
22	00-855355-00001	Rack – Wire (3-Pan).....	2
23	00-855355-00002	Rack – Wire (5-Pan).....	2
	00-855779-00001	Compartment – Insulation (3-Pan).....	1
	00-855779-00002	Compartment – Insulation (5-Pan).....	1

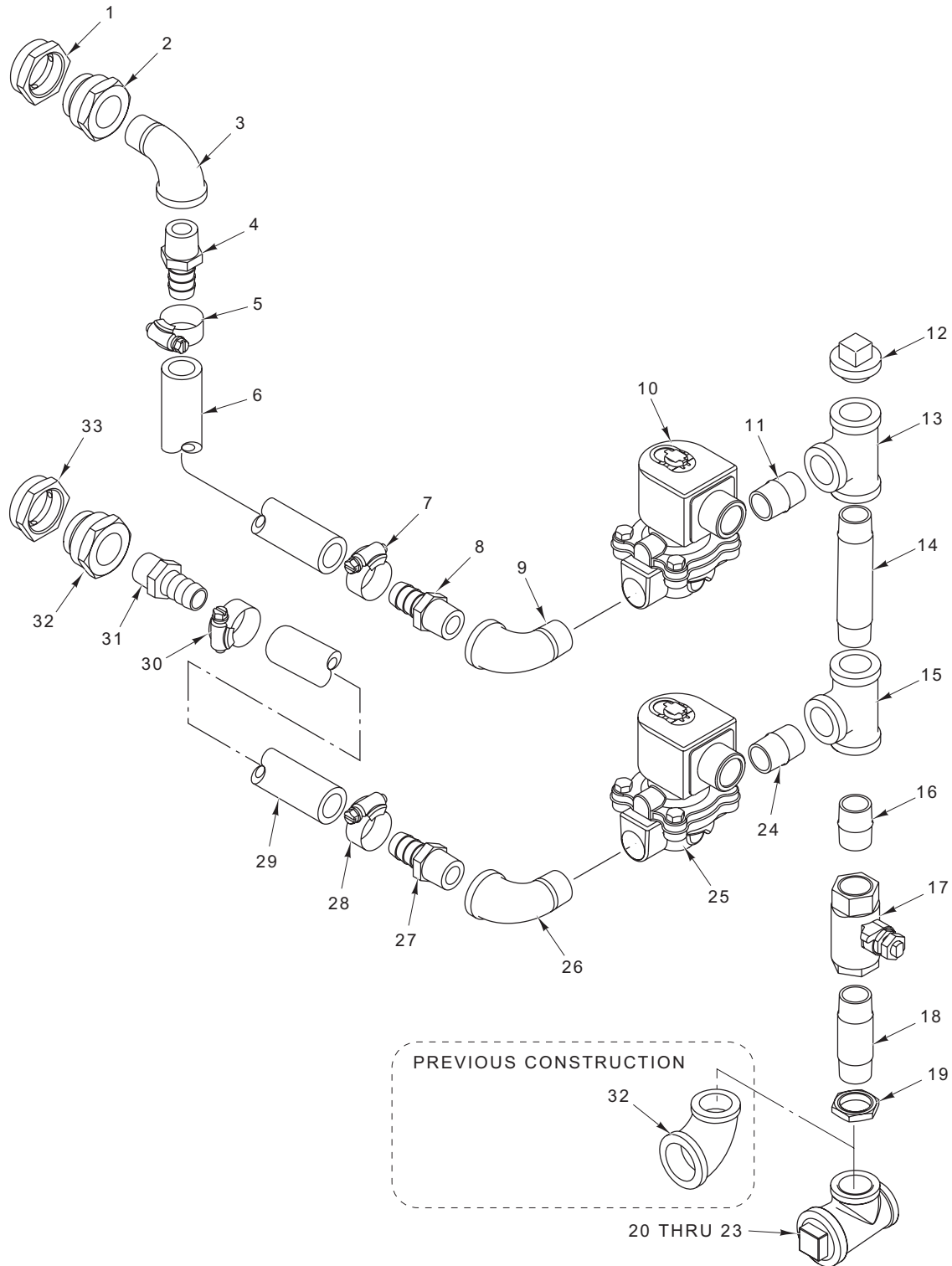


PL-58331

PANELS

PANELS

ILLUS.	PART NO.	NAME OF PART	AMT.
PL-58331			
1	SD-036-58	Self-Tapping Screw 10-16 x 1/2 Hex Washer Hd., Type AB.....	32
2	00-856688-00001	Guard – Flue.....	1
3	00-855547-00001	Panel – Cabinet Top.....	1
4	00-855318-00001	Panel – Cabinet Flue Cover.....	1
5	SD-036-03	Self-Tapping Screw 8-18 x 3/8 Hex Washer Hd., Type AB.....	6
6	00-855317-00001	Panel – Cabinet Back (6-Pan).....	1
7	00-855461-00001	Panel – Cabinet Back (10-Pan).....	1
8	00-855689-00001	Tabletop.....	1
9	00-855663-00001	Panel – Rear Assy.....	1
10	00-881526	Foot – Leg & Flange.....	1
11	00-855663-00002	Panel – Front.....	1
12	00-855672-00001	Panel – Side.....	1
13	PB-004-38	Plug – Button.....	1
14	00-855316-00001	Apron – Cabinet.....	1
15	00-855435-00001	Panel – Cabinet Flue Base.....	1
16	00-855331-00001	Panel – Cabinet Base.....	1
17	WL-006-17	Lockwasher 1/4 Helical.....	14
18	NS-046-38	Nut 1/4-20 Hex.....	7
19	00-855321-00001	Side Panel – Cabinet (6-Pan).....	2
20	00-855321-00002	Side Panel – Cabinet (10-Pan).....	2
21	SC-053-03	Mach. Screw 10-24 x 3/4 Slotted Truss Hd. (SST).....	4
22	NS-046-38	Nut 1/4-20 Hex.....	7
23	00-855675-00001	Bracket – Relay.....	1
24	00-416535-00006	Switch – Relay (120 V.).....	2
25	00-855326-00001	Bracket – Cabinet Compartment Middle.....	1
26	SD-036-58	Self-Tapping Screw 10-16 x 1/2 Hex Washer Hd., Type AB.....	8
27	00-855327-00001	Bracket – Cabinet Compartment Support.....	1
28	00-855315-00001	Bracket – Cabinet Apron.....	2
29	FE-016-02	Bushing – Electric Snap.....	2
	SC-041-01	Cap Screw 1/4-20 x 3/4 Hex Hd. (SST).....	2
	WS-017-06	Washer (SST).....	2
	NS-048-63	Lock Nut 1/4-20 Nylock (SST).....	2

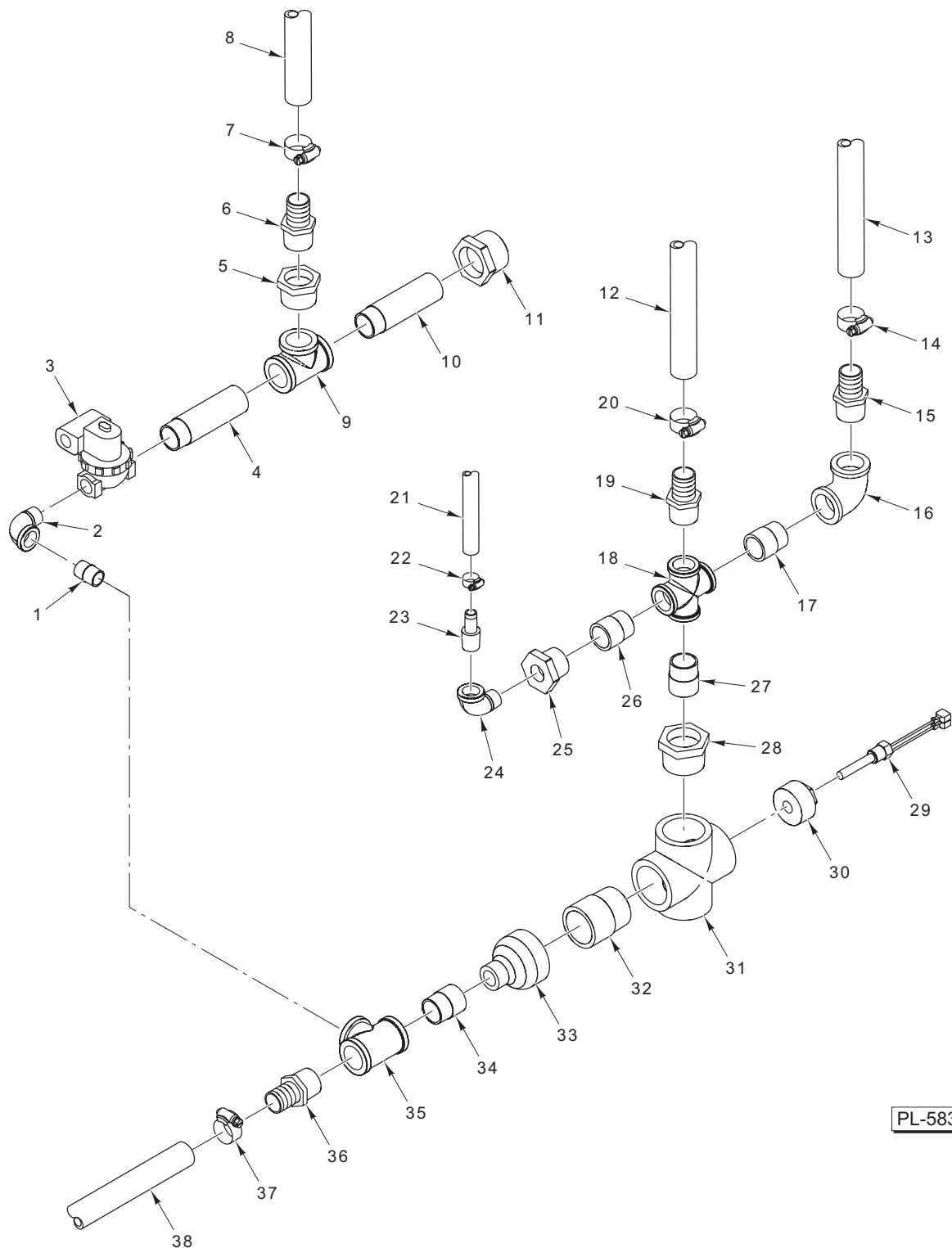


PL-58333

PLUMBING

PLUMBING

ILLUS. PL-58333	PART NO.	NAME OF PART	AMT.
1	00-855393-00001	Head – Steamport Cabinet	1
2	00-855394-00001	Adapter – Steamport Cabinet	1
3	FP-015-17	Elbow – Pipe 1/2 x 90 Deg. (Brass).....	1
4	FP-090-83	Fitting – Hose 3/4 to 1/2 (Brass)	1
5	00-557579	Clamp – Hose	1
6	00-557792	Steam Line – Upper (3/4 In. I.D. High Temperature).....	18 In.
7	00-557579	Clamp – Hose	1
8	FP-090-83	Fitting – Hose 3/4 to 1/2 (Brass)	1
9	FP-015-17	Elbow – Pipe 1/2 x 90 Deg. (Brass).....	1
10	00-855395-00001	Valve 1/2 NPT	1
11	FP-054-08	Pipe 1/2 x 1 1/4 TBE (SST)	1
12	FP-028-15	Pipe Plug 1/2 Sq. Hd. (Brass).....	1
13	FP-019-21	Tee – Pipe 1/2 x 1/2 x 1/2 (Brass).....	1
14	FP-040-62	Pipe 1/2 x 3 TBE (Brass).....	1
15	FP-019-21	Tee – Pipe 1/2 x 1/2 x 1/2 (Brass).....	1
16	FP-054-08	Pipe 1/2 x 1 1/4 TBE (SST)	1
17	00-881161	Valve – Ball	1
18	FP-054-39	Pipe 1/2 x 2 1/2 TBE (SST).....	1
19	FP-053-05	Lock Nut 1/2 (SST).....	1
20	FP-27-22	Bushing – Pipe 3/4 to 1/2 (Brass)	1
21	FP-019-40	Tee – Pipe 1 x 3/4 x 3/4 (Brass).....	1
22	FP-028-22	Pipe Plug 1 In. (Brass).....	1
23	00-855676-00001	Screen – Strainer.....	1
24	FP-054-08	Pipe 1/2 x 1 1/4 TBE (SST)	1
25	00-855395-00001	Valve 1/2 NPT	1
26	FP-015-17	Elbow – Pipe 1/2 x 90 Deg. (Brass).....	1
27	FP-090-83	Fitting – Hose 3/4 to 1/2 (Brass)	1
28	00-557579	Clamp – Hose	1
29	00-557792	Steam Line – Lower (3/4 In. I.D. High Temperature).....	12 In.
30	00-557579	Clamp – Hose	1
31	FP-090-83	Fitting – Hose 3/4 to 1/2 (Brass)	1
32	00-855394-00001	Adapter – Steamport Cabinet	1
33	00-855393-00001	Head – Steamport Cabinet	1

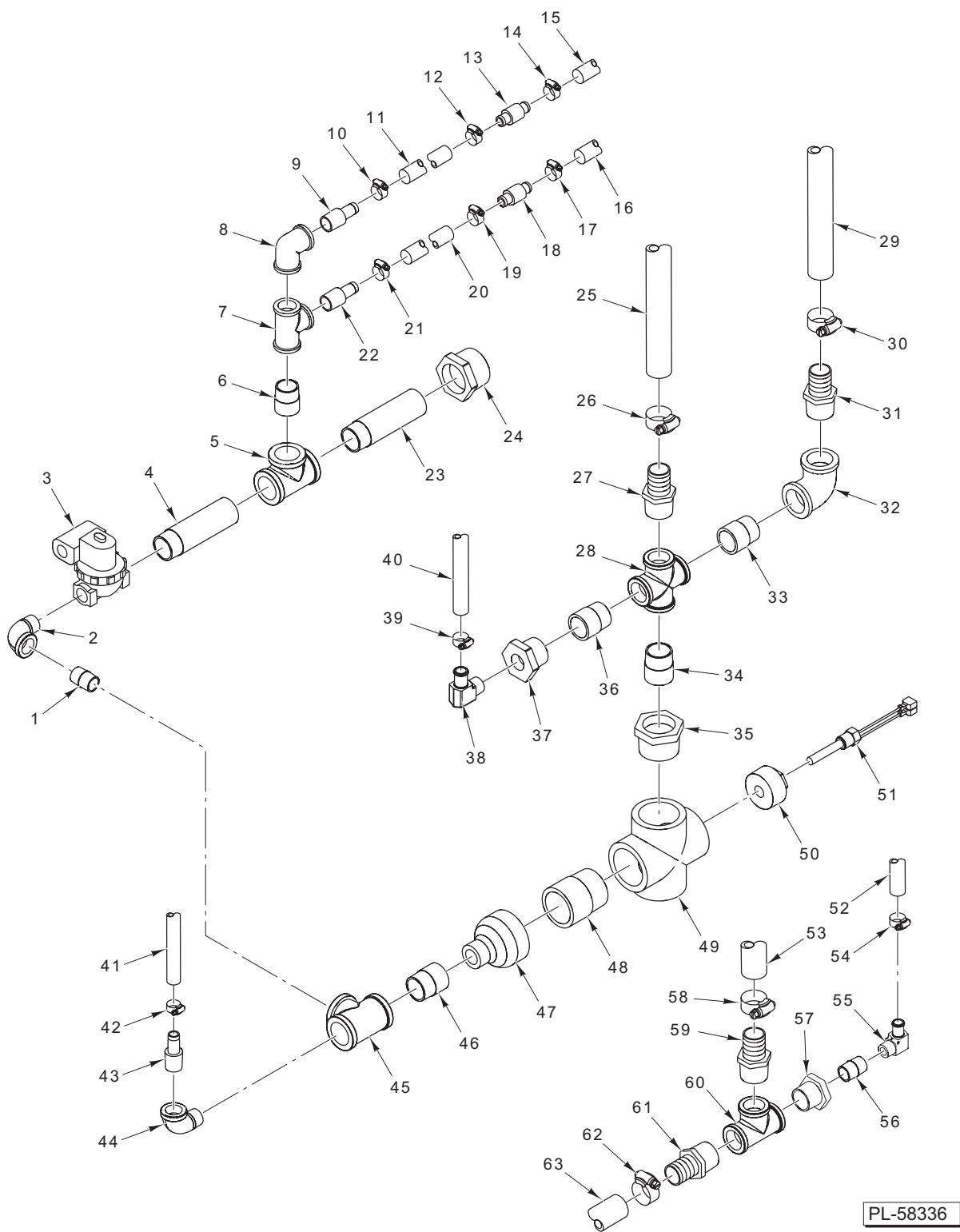


PL-58337

DRAIN ASSEMBLY (PREVIOUS CONSTRUCTION)

DRAIN ASSEMBLY (PREVIOUS CONSTRUCTION)

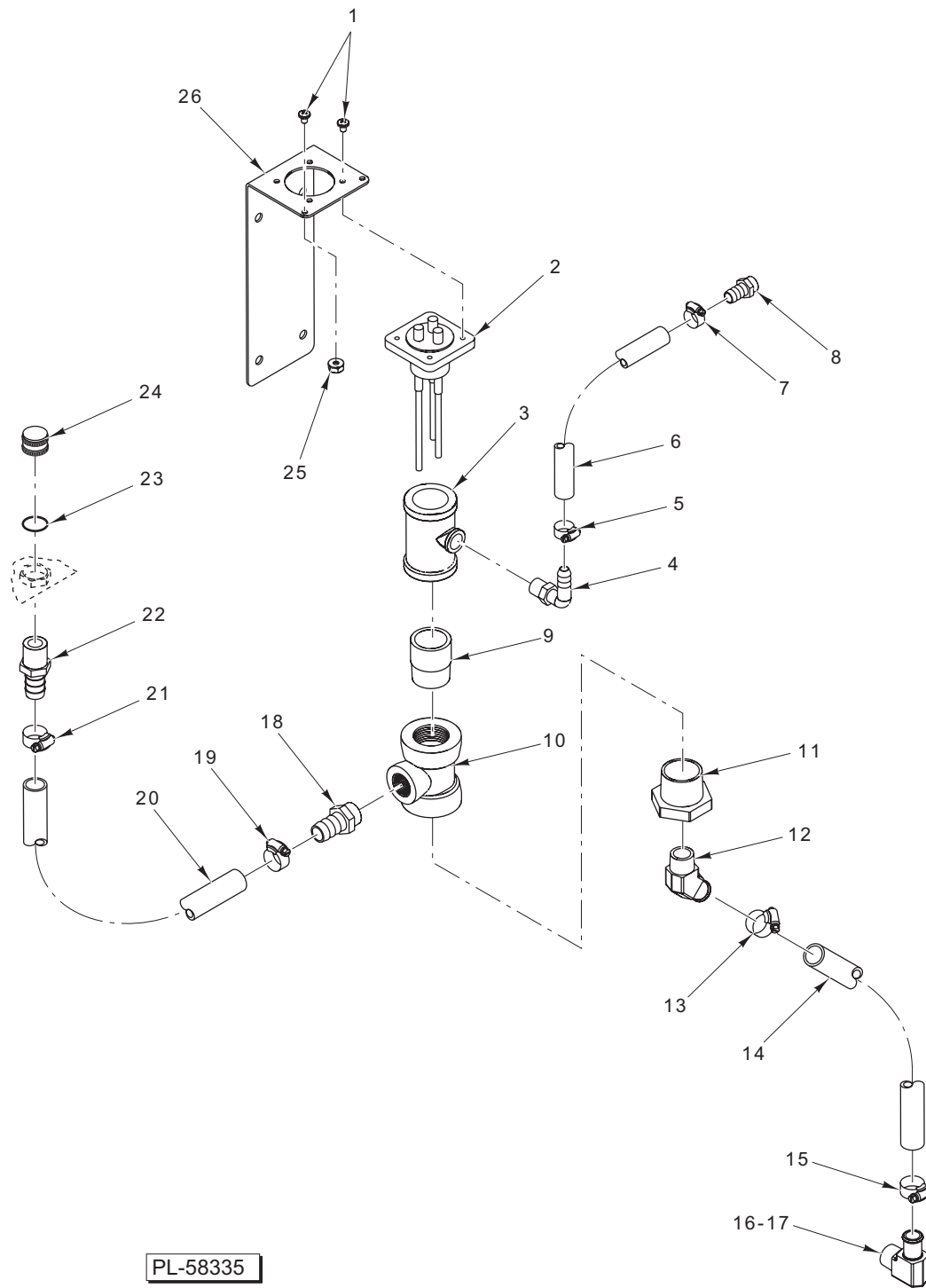
ILLUS. PL-58337	PART NO.	NAME OF PART	AMT.
1	FP-035-91	Pipe 1/2 x 1 1/4 TBE.....	1
2	FP-013-17	Elbow – Pipe 1/2 x 90 Deg.....	1
3	00-435968-00001	Valve – Solenoid (1/2 In.).....	1
4	FP-040-62	Pipe 1/2 x 3 TBE (Brass).....	1
5	FP-027-13	Bushing – Pipe 1/2 to 3/8 (Brass).....	1
6	FP-090-29	Fitting – Hose 3/8 to 3/8.....	1
7	00-557597	Clamp – Hose.....	1
8	00-557599	Hose 3/8 (Clear).....	AR
9	FP-019-21	Tee – Pipe 1/2 x 1/2 x 1/2.....	1
10	FP-040-62	Pipe 1/2 x 3 TBE (Brass).....	1
11	FP-027-22	Bushing – Pipe 3/4 to 1/2 (Brass).....	1
12	00-557477	Hose (1 In.) Green.....	AR
13	00-557477	Hose (1 In.) Green.....	1
14	00-557756	Clamp – Hose.....	1
15	FP-090-19	Fitting – Hose 1 In.....	1
16	FP-013-27	Elbow – Pipe 1/2 x 90 Deg.....	1
17	FP-036-17	Pipe 1 x 1 1/2 TBE.....	1
18	FP-088-56	Cross – Pipe STD 1 x 1 x 1 x 1.....	1
19	FP-090-19	Fitting – Hose 1 In.....	1
20	00-557756	Clamp – Hose.....	1
21	00-557475	Hose 5/8 (Blue).....	AR
22	00-557597	Clamp – Hose.....	1
23	FP-087-39	Fitting – Hose 5/8 to 1/2 (Brass).....	1
24	FP-013-17	Elbow – Pipe 1/2 x 90 Deg.....	1
25	FP-026-24	Bushing – Pipe 1 to 1/2.....	1
26	FP-036-37	Pipe 1 1/2 x 2 1/2 TBE.....	1
27	FP-036-17	Pipe 1 x 1 1/2 TBE.....	1
28	FP-026-68	Bushing – Pipe 1 1/2 to 1.....	1
29	00-855607-00001	Thermostat – Condenser (135 Deg. F.).....	1
30	FP-090-38	Bushing – Pipe 1 1/2 to 3/8.....	1
31	FP-090-28	Cross – Pipe STD 1 1/2 x 1 1/2 x 1 1/2 x 1 1/2.....	1
32	FP-036-17	Pipe 1 x 1 1/2 TBE.....	1
33	FP-024-50	Coupling – Reducing 1 1/2 to 1/2.....	1
34	FP-035-94	Pipe 1/2 x 1 1/2 TBE.....	1
35	FP-019-21	Tee – Pipe 1/2 x 1/2 x 1/2.....	1
36	FP-090-29	Fitting – Hose 3/8 to 3/8.....	1
37	00-557597	Clamp – Hose.....	1
38	00-557599	Hose 3/8 (Clear).....	AR



DRAIN ASSEMBLY (CURRENT CONSTRUCTION)

DRAIN ASSEMBLY (CURRENT CONSTRUCTION)

ILLUS.	PART NO.	NAME OF PART	AMT.
	PL-58336		
1	FP-035-91	Pipe 1/2 x 1 1/4 TBE.....	1
2	FP-013-17	Elbow – Pipe 1/2 x 90 Deg.....	1
3	00-435968-00001	Valve – Solenoid (1/2 In.).....	1
4	FP-040-62	Pipe 1/2 x 3 TBE (Brass).....	1
5	FP-019-21	Tee – Pipe 1/2 x 1/2 x 1/2.....	1
6	FP-040-42	Pipe 1/2 x 1 1/4 TBE (Brass).....	1
7	FP-019-21	Tee – Pipe 1/2 x 1/2 x 1/2.....	1
8	FP-015-17	Elbow – Pipe 1/2 x 90 Deg. (Brass).....	1
9	FP-090-77	Fitting – Hose 5/8 (Brass).....	1
10	00-557756	Clamp.....	3
11	00-557681	Hose 1/2 Clear.....	AR
12	00-557756	Clamp.....	3
13	00-857179-00001	Valve – Check.....	2
14	00-557756	Clamp.....	3
15	00-557681	Hose 1/2 Clear.....	AR
16	00-557681	Hose 1/2 Clear.....	AR
17	00-557756	Clamp.....	3
18	00-857179-00001	Valve – Check.....	2
19	00-557756	Clamp.....	3
20	00-557681	Hose 1/2 Clear.....	AR
21	00-557756	Clamp.....	3
22	FP-090-77	Fitting – Hose 5/8 (Brass).....	1
23	FP-040-62	Pipe 1/2 x 3 TBE (Brass).....	1
24	FP-027-22	Bushing – Pipe 3/4 to 1/2 (Brass).....	1
25	00-557477	Hose (1 In.) Green.....	AR
26	00-557756	Clamp – Hose.....	1
27	FP-090-19	Fitting – Hose 1 In.....	1
28	FP-088-56	Cross – Pipe STD 1 x 1 x 1.....	1
29	00-557477	Hose (1 In.) Green.....	AR
30	00-557756	Clamp – Hose.....	1
31	FP-090-19	Fitting – Hose 1 In.....	1
32	FP-013-27	Elbow – Pipe 1 x 90 Deg.....	1
33	FP-036-17	Pipe 1 x 1 1/2 TBE.....	1
34	FP-036-17	Pipe 1 x 1 1/2 TBE.....	1
35	FP-026-68	Bushing – Pipe 1 1/2 to 1.....	1
36	FP-036-37	Pipe 1 1/2 x 2 1/2 TBE.....	1
37	FP-026-24	Bushing – Pipe 1 to 1/2.....	1
38	FP-090-54	Fitting – Hose 5/8 (Brass).....	1
39	00-557756	Clamp – Hose.....	1
40	00-557475	Hose 5/8 Blue.....	AR
41	00-557681	Hose 1/2 (Clear Braided).....	AR
42	00-557756	Clamp – Hose.....	1
43	FP-090-77	Fitting – Hose 5/8 (Brass).....	1
44	FP-013-17	Elbow – Pipe 1/2 x 90 Deg.....	1
45	FP-019-21	Tee – Pipe 1/2 x 1/2 x 1/2.....	1
46	FP-035-94	Pipe 1/2 x 1 1/2 TBE.....	1
47	FP-024-50	Coupling – Reducing 1 1/2 to 1/2.....	1
48	FP-036-17	Pipe 1 x 1 1/2 TBE.....	1
49	FP-090-28	Cross – Pipe STD 1 1/2 x 1 1/2 x 1 1/2.....	1
50	FP-090-38	Bushing – Pipe 1 1/2 to 3/8.....	1
51	00-855607-00001	Thermostat – Condenser (135 Deg. F.).....	1
52	00-557681	Hose 1/2 Clear.....	AR
53	00-557477	Hose (1 In.) Green.....	AR
54	00-557756	Clamp.....	3
55	FP-090-91	Fitting – Hose 1/2 (Brass).....	1
56	00-857072-00001	Nozzle – Cavity Drain Cooling.....	1
57	FP-026-23	Bushing – Pipe 1 to 3/8.....	1
58	00-557756	Clamp – Hose.....	1
59	FP-090-19	Fitting – Hose 1 In.....	1
60	FP-019-38	Tee – Pipe 1 x 1 x 1.....	1
61	FP-090-19	Fitting – Hose 1 to 1.....	1
62	00-557756	Clamp – Hose.....	1
63	00-557477	Hose (1 In.) Green.....	AR



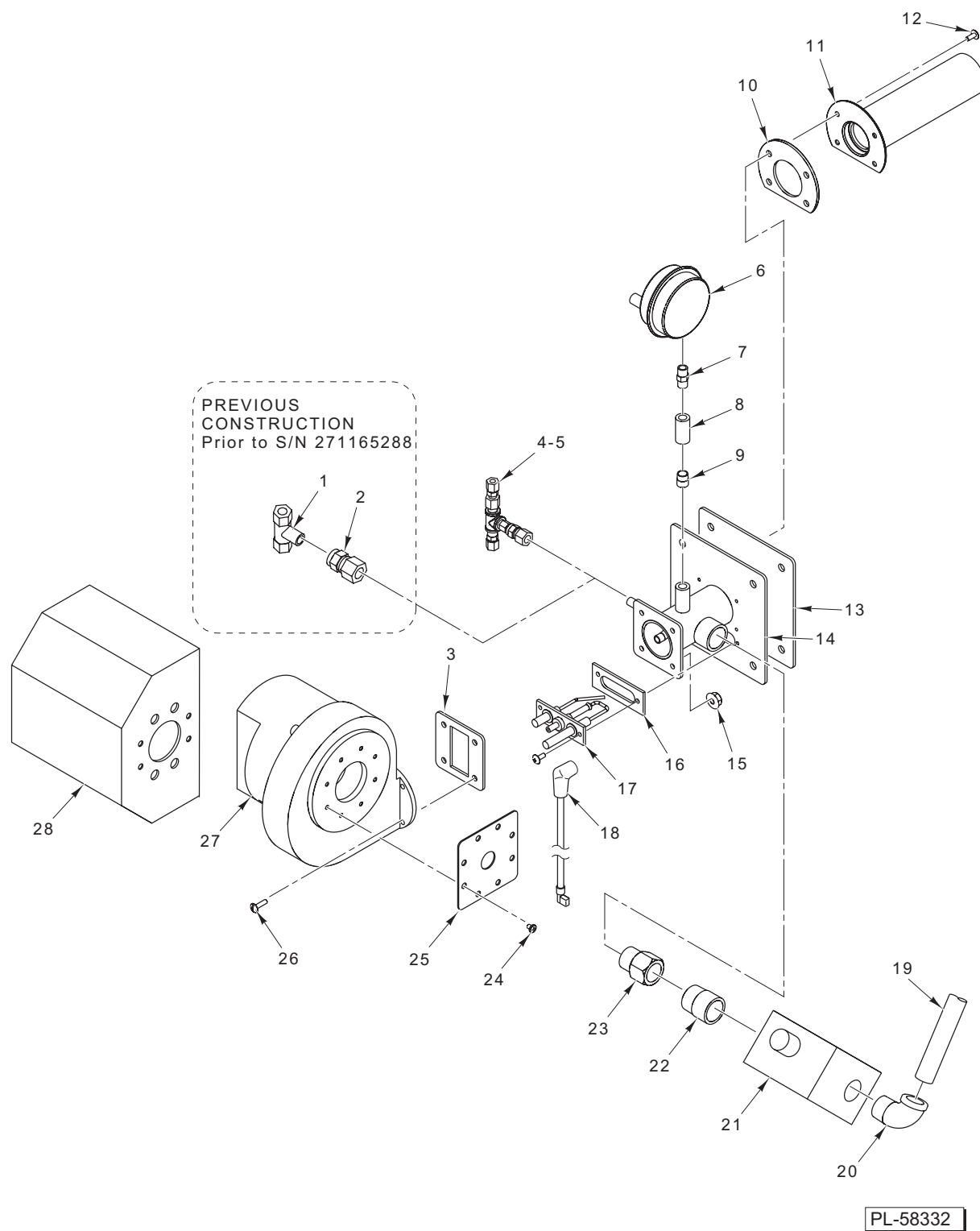
WATER LEVEL PROBE

WATER LEVEL PROBE

ILLUS. PL-58335	PART NO.	NAME OF PART	AMT.
1	SC-110-87	Mach. Screw 10-32 x 1/4 Phil. Pan Hd.....	5
2	00-850736-00002	Probe – Level 3 Controller.....	1
3	FP-019-37	Tee – Pipe 1 x 1 x 1/4	1
4	FP-090-74	Fitting – Hose 5/8 x 45 Deg. Elbow (Brass).....	1
5	00-557718	Clamp – Hose	1
6	00-557600	Hose 3/8 Clear.....	8 In.
7	00-557718	Clamp – Hose	1
8	FP-090-63	Fitting – Hose 5/8 to 3/8 MPT	1
9	FP-036-17	Pipe 1 x 1 1/2 TBE	1
10	FP-090-50	Tee – Pipe 1 x 1/2 x 1	1
11	FP-026-24	Bushing – Pipe 1 to 1/2	1
12	FP-090-18	Fitting – Hose 3/8 to 1/4 Elbow (Brass).....	1
13	00-557718	Clamp – Hose	1
14	00-557475	Hose 5/8 Blue	4.5 In.
15	00-557718	Clamp – Hose	1
*16	FP-090-68	Fitting – Hose 5/8 90 Deg. Elbow (Brass)	1
**17	FP-090-54	Fitting – Hose 5/8 90 Deg. Elbow (Brass)	1
18	FP-087-39	Fitting – Hose 5/8 Hose to 1/2 NPT (Brass).....	1
19	00-557718	Clamp – Hose	1
20	00-557475	Hose 5/8 Blue	15 In.
21	00-557718	Clamp – Hose	1
22	FP-019-37	Tee – Pipe 1 x 1 x 1/4	1
23	OR-001-10	O-Ring	1
24	FP-090-60	Fitting – Hose Cap (Brass)	1
25	NS-046-88	Nut Assy.	1
26	00-855699-00001	Bracket – Level Probe	1
	00-855679-00001	Probe – Level (Incls. Items 1 thru 4, 9 thru 12, 18, 25, & 26)	1

* Used On Machines Built On & Before S/N 27-1151339 and will need Delime Port Kit #00-857014-00001 installed.

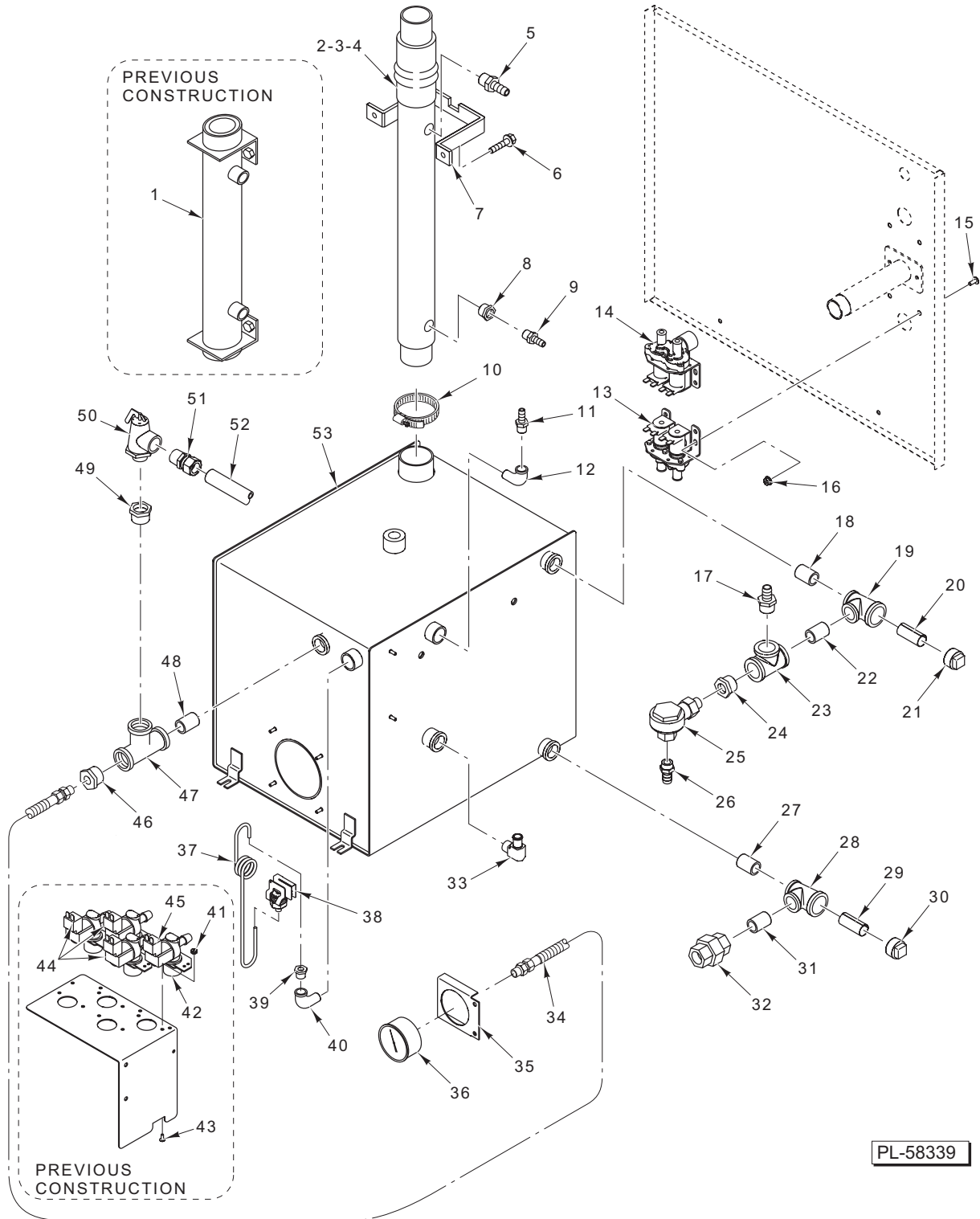
** Used On Machines Built On & After S/N 27-1151340.



BURNER ASSEMBLY

BURNER ASSEMBLY

ILLUS.	PART NO.	NAME OF PART	AMT.
PL-58332			
1	FP-090-34	Fitting – Male Branch Tee (Brass) (Previous Construction).....	1
2	FP-087-85	Fitting – Tube $\frac{3}{8}$ (Brass) (Previous Construction).....	1
3	00-855649-00001	Gasket – Blower	1
4	00-855601-00001	Pilot – Natural Air Assy.....	1
5	00-855601-00002	Pilot – Propane Air Assy.....	1
6	00-850778-00001	Switch – Air Pressure.....	1
7	00-851833-00001	Orifice – Air	1
8	FP-090-08	Coupling – Pipe $\frac{1}{8}$ TBE (SST).....	1
9	FP-081-93	Pipe $\frac{1}{8}$ x $\frac{3}{4}$ TBE (Brass).....	1
10	00-855626-00001	Gasket – Burner.....	1
11	00-855646-00001	Burner – Aconit	1
12	SC-066-06	Mach. Screw 10-24 x $\frac{1}{2}$ Phil. Truss Hd. (SST).....	6
13	00-855625-00001	Gasket – Burner Plate	1
14	00-855640-00001	Burner – Adaptor Weld.....	1
15	NS-038-13	Lock Nut 10-24	4
16	00-855628-00001	Gasket – Pilot	1
17	00-855627-00001	Pilot.....	1
18	00-857210-00005	Cable – Ignitor Assy. (30 In.).....	1
19	00-851318-00001	Flex Gas Line.....	1
20	FP-078-86	Elbow – Pipe $\frac{3}{4}$ x 90 Deg.	1
21	00-844133-00001	Valve – Comb. Nat. 3 $\frac{1}{2}$ In.....	1
22	FP-036-02	Pipe $\frac{3}{4}$ x 2 $\frac{1}{2}$ TBE	1
23	00-852984-00012	Orifice	1
24	SC-110-87	Mach. Screw 10-32 x $\frac{1}{4}$ Phil. Pan Hd.	4
25	00-855647-00001	Orifice – Air	1
26	SC-053-03	Mach. Screw 10-24 x $\frac{3}{4}$ Slotted Truss Hd.	4
27	00-855605-00001	Blower – Variable Speed.....	1
28	00-855657-00001	Blower – Shroud	1

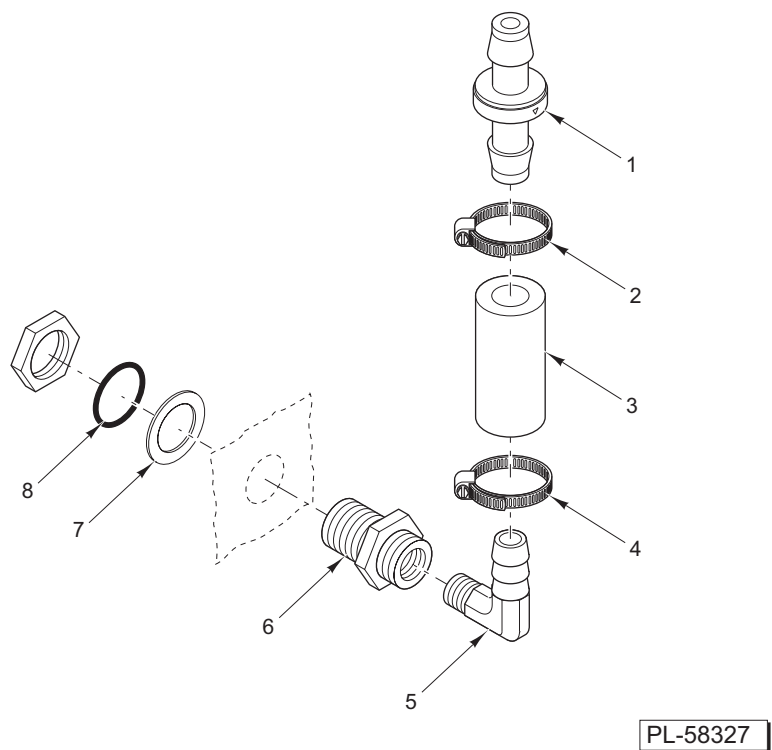


PL-58339

GAS GENERATOR TANK ASSEMBLY

GAS GENERATOR TANK ASSEMBLY

ILLUS. PL-58339	PART NO.	NAME OF PART	AMT.
1	00-857230-00001	Kit – Superheater Replacement (Incls. Items 2, 4, 6, & 7) (Prior to Serial #271164552).....	1
2	00-857180-00002	Heater – Super Steam (Incls. Items 3, 5, 8, & 10) (After Serial #271164552).....	1
3	FP-084-96	Coupling – Pipe $\frac{3}{4}$	2
4	00-557792	Hose $\frac{3}{4}$ x 15 $\frac{1}{2}$	1
5	FP-090-31	Fitting – Hose $\frac{5}{8}$ to $\frac{3}{4}$	1
6	SD-034-21	Self-Tapping Screw 10-16 x $\frac{1}{2}$ Slotted Hex Hd.	2
7	00-857184-00001	Bracket – Superheater Support.....	1
8	FP-027-22	Bushing – Pipe $\frac{3}{4}$ to $\frac{1}{2}$ (Brass).....	1
9	FP-090-83	Fitting – Hose $\frac{3}{4}$ to $\frac{1}{2}$ (Brass).....	1
10	00-557789	Clamp – Hose.....	2
11	FP-090-30	Fitting – Hose $\frac{3}{8}$ to $\frac{3}{8}$ NPT (Brass).....	1
12	FP-015-10	Elbow – Pipe $\frac{3}{8}$ 90 Deg. (Brass).....	1
13	00-856720-00001	Valve – Dual Water (0.25 GPM / 3.8 GPM) Generator Fast & Slow Fill.....	1
14	00-856720-00003	Valve – Dual Water (3.8 GPM) Drain Cooling & Cavity Cold Water Condensate.....	1
15	SC-066-06	Mach. Screw 10-24 x $\frac{1}{2}$ Phil. Truss Hd. (SST).....	8
16	NS-038-13	Lock Nut 10-24.....	6
17	FP-090-31	Fitting – Hose $\frac{5}{8}$ to $\frac{3}{4}$ NPT (Brass).....	1
18	FP-041-50	Pipe $\frac{3}{4}$ x 1 $\frac{3}{8}$ TBE (Brass).....	1
19	FP-019-40	Tee – Pipe 1 x $\frac{3}{4}$ x $\frac{3}{4}$ (Brass).....	1
20	00-855676-00001	Screen – Strainer.....	1
21	FP-028-22	Plug – Pipe (1 In.).....	1
22	FP-041-66	Pipe $\frac{3}{4}$ x 3 TBE (Brass).....	1
23	FP-019-28	Tee – Pipe $\frac{3}{4}$ x $\frac{3}{4}$ x $\frac{3}{4}$ (Brass).....	1
24	FP-027-22	Bushing – Pipe $\frac{3}{4}$ to $\frac{1}{2}$ (Brass).....	1
25	00-880016-00011	Trap – Radiator $\frac{1}{2}$ In.....	1
26	FP-087-39	Fitting – Hose $\frac{5}{8}$ to $\frac{3}{8}$ NPT (Brass).....	1
27	FP-041-50	Pipe $\frac{3}{4}$ x 1 $\frac{3}{8}$ TBE (Brass).....	1
28	FP-019-40	Tee – Pipe 1 x $\frac{3}{4}$ x $\frac{3}{4}$ (Brass).....	1
29	00-855676-00001	Screen – Strainer.....	1
30	FP-028-22	Plug – Pipe (1 In.).....	1
31	FP-041-66	Pipe $\frac{3}{4}$ x 3 TBE (Brass).....	1
32	FP-022-18	Union – Pipe $\frac{3}{4}$ (Brass).....	1
33	FP-090-54	Fitting – Hose $\frac{5}{8}$ x $\frac{1}{2}$ NPT (Brass).....	1
34	00-426505-00018	Tube – Flex $\frac{1}{4}$ x 18 In.....	2
35	00-881057	Bracket – Pressure Gauge.....	1
36	00-833152	Gauge – Pressure.....	1
37	00-857178	Coil – Condensate.....	1
38	00-857022-00001	Switch – Pressure.....	1
39	FP-027-04	Bushing – Pipe $\frac{3}{8}$ to $\frac{1}{8}$ (Brass).....	1
40	FP-015-10	Elbow – Pipe $\frac{3}{8}$ x 90 Deg. (Brass).....	1
41	NS-046-89	Nut Assy. 6-32 (Previous Construction).....	8
42	FP-090-32	Fitting – Hose (Brass).....	4
43	SC-066-02	Mach. Screw 6-32 x $\frac{3}{8}$ Phil. Truss Hd. (Previous Construction).....	8
44	00-855373-00002	Valve – Fill (3.7 GPM) (Previous Construction).....	3
45	00-855373-00001	Valve – Fill (0.25 GPM) (Previous Construction).....	1
46	FP-027-15	Bushing – Pipe $\frac{3}{4}$ to $\frac{1}{4}$ (Brass).....	1
47	FP-019-28	Tee – Pipe $\frac{3}{4}$ x $\frac{3}{4}$ x $\frac{3}{4}$ (Brass).....	1
48	FP-041-50	Pipe $\frac{3}{4}$ x 1 $\frac{3}{8}$ TBE (Brass).....	1
49	FP-027-15	Bushing – Pipe $\frac{3}{4}$ to $\frac{1}{4}$ (Brass).....	1
50	00-855606-00001	Valve – Relief $\frac{3}{4}$ In. 5 PSI.....	1
51	FP-012-22	Fitting – Tube $\frac{3}{4}$ TBG x $\frac{3}{4}$ NPT (Brass).....	1
52	00-857208-00001	Tube – Pop Off Discharge.....	1
53	00-855610-00001	Generator – Steam Weldment.....	1
	FP-028-34	Plug – Pipe (2 In.).....	1
	00-851614-00004	Tube – Flex $\frac{3}{8}$ x 24 In.....	1
	00-557681	Hose – Water Supply $\frac{1}{2}$ x $\frac{1}{8}$ (Clear PVC) (Current Construction).....	AR
	00-557599	Hose – Water Supply $\frac{3}{8}$ x $\frac{1}{8}$ (Clear PVC) (Previous Construction).....	AR



COMPARTMENT VACUUM BREAKER

COMPARTMENT VACUUM BREAKER

ILLUS. PL-58327	PART NO.	NAME OF PART	AMT.
1	00-856755-00001	Valve – Check..... 1	1
2	00-557718	Clamp – Hose..... 1	1
3	00-557473	Tube Line – Compartment Vacuum..... 1	1
4	00-557718	Clamp – Hose..... 2	2
5	FP-090-71	Fitting – Hose ³ / ₈ Hose by ¹ / ₈ NPT (Brass)..... 1	1
6	FP-090-36	Coupling – Anchor ¹ / ₈ (Brass) (Incls. Nuts)..... 1	1
7	WS-010-26	Washer..... 1	1
8	00-856769-00001	O-Ring..... 1	1

